

Kohs & Company *The Finest in 'O'scale*

I N C O R P O R A T E D

Chesapeake & Ohio Steel Caboose

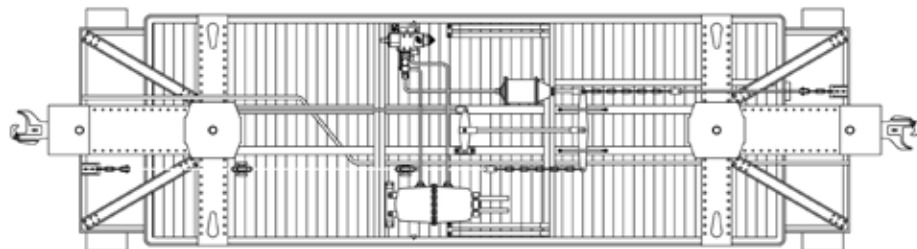
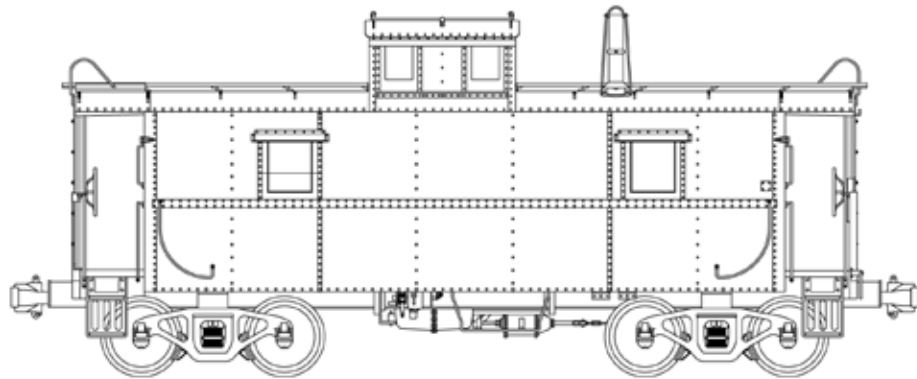
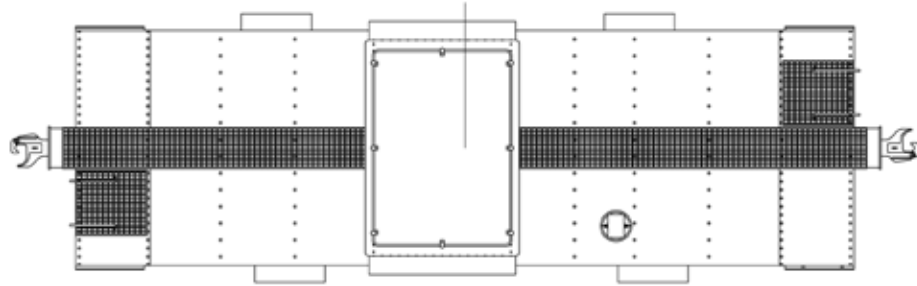
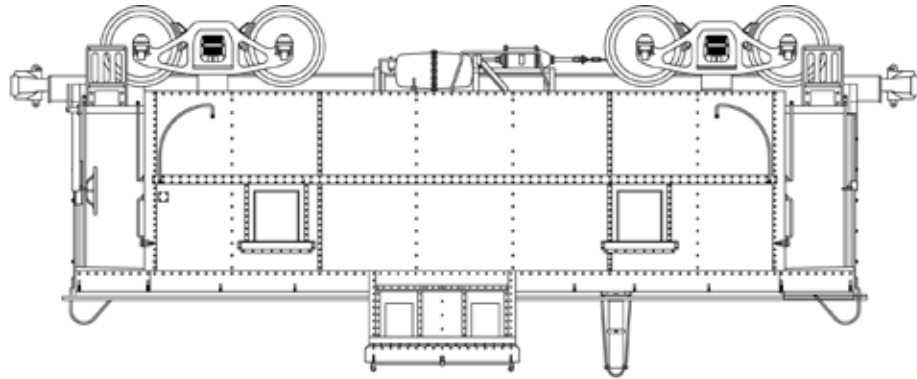


The fourth in our series of caboose projects, the Chesapeake & Ohio steel caboose project will build on the success of our first three projects. We will produce nine (9) versions with paint schemes that will cover their entire service period. We will also include the PM District cars that were so important to the history of the prototype. Reservations will begin for this project shortly and delivery is anticipated by the end of this year.

To receive our newsletters and periodic project updates please contact us by any of the following means:

Post Office Box 689 • Clarkston, Michigan 48347-0689 • 248.625.6396 • Fax: 248.625.7994 • E-mail: gwk@kohs.com • Web: www.kohs.com

Chesapeake & Ohio Version



Pere Marquette District Version

